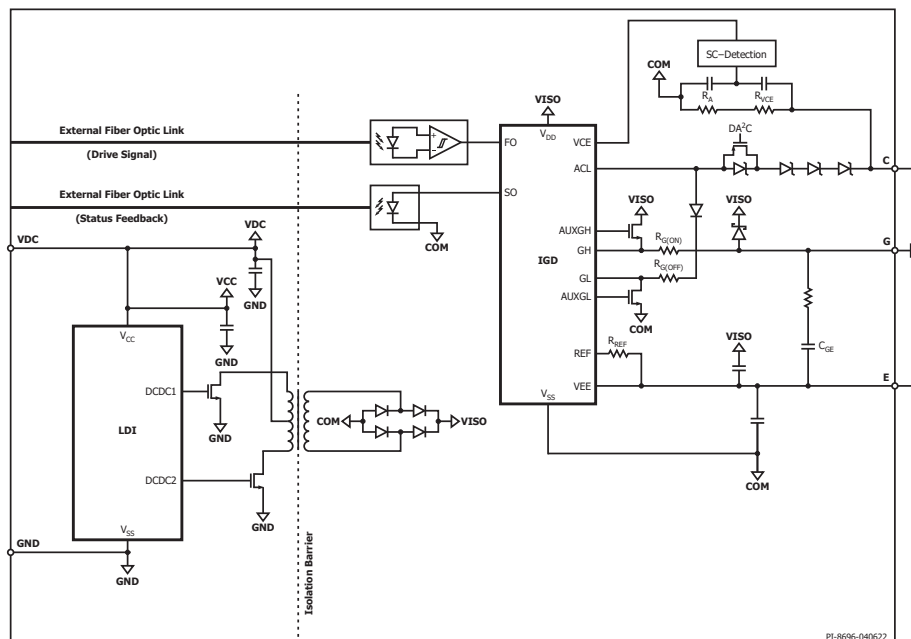


SCALE™ -2 Plug-and-Play IGBT Gate Driver 1SP0351V2

- Compact autonomous plug-and-play solution
- Fiberoptic interface
- IGBT/IEGT short-circuit and over-current protection
- Overvoltage protection by Dynamic Advanced Active Clamping
- Built-in isolated and regulated DC-DC converter
- In-line conformal coating

Single-Channel Plug-and-Play Gate Driver for 4500 V Press Pack IGBT/IEGT



Applications

- High-voltage DC transmission systems
- Railway main inverters
- STATCOM
- Medium-voltage drives

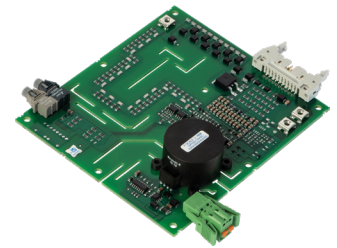
Certifications

- Creepage and clearance according to IEC 60077-1

Product Details

Parameter	Min	Typical	Max	Unit
Nominal supply voltage	0	15	16	V
Supply current @ $f_{IN} = 0$ Hz		150		mA
Supply current, full load		280		mA
Output power			1.8	W
Gate voltage		+15 / -10		V
Peak output current (gate current)	-50		+50	A
Switching frequency (f_s ¹)			2	kHz
Creepage distance on PCB primary-secondary	45			mm
Clearance distance primary-secondary	25			mm
Dielectric test voltage	10200			V _{RMS}
Partial discharge extinction voltage	5400			V _{PEAK}
Operating temperature	-40		+85	°C

¹ Maximum switching frequency depends on the IGBT gate charge. See data sheet for actual value of specific driver.



1SP0351 single-channel
plug-and-play gate driver

Design Support

Available Products 1SP0351 products list (www.power.com/1SP0351)